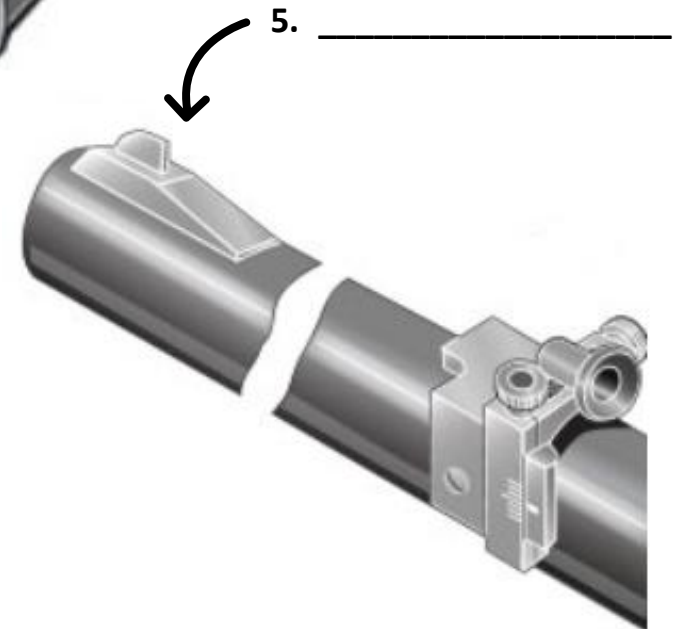
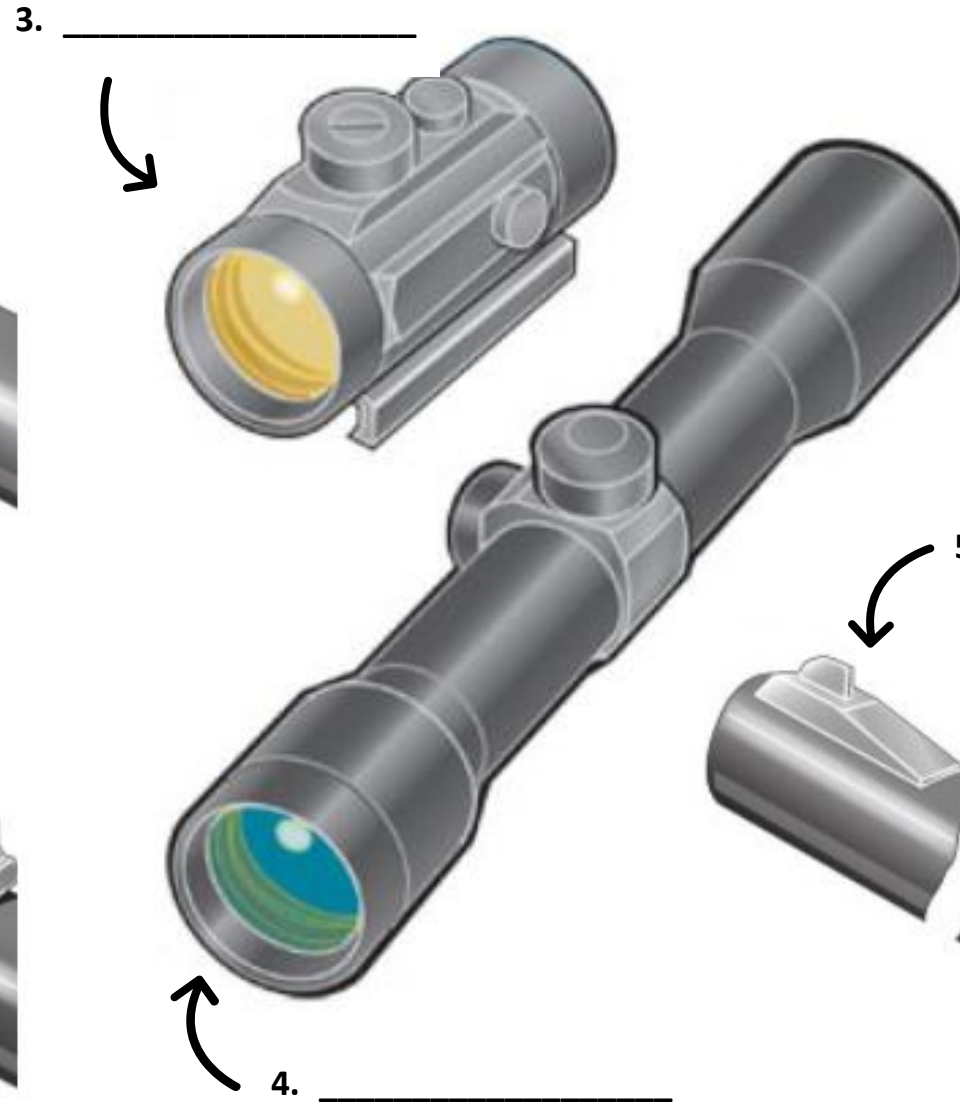
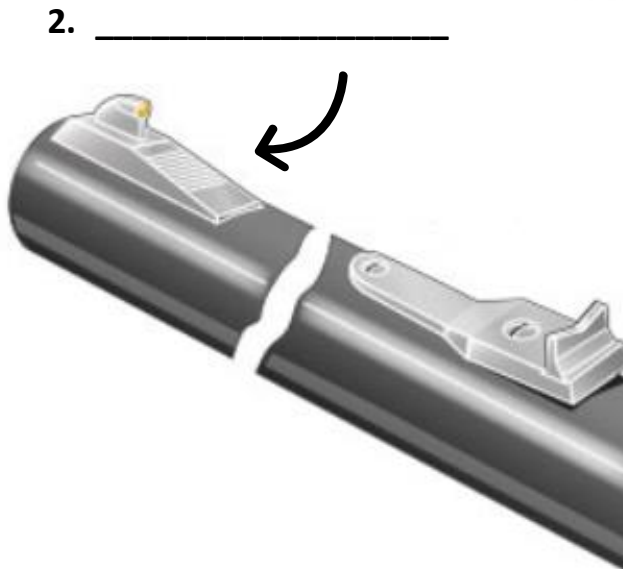
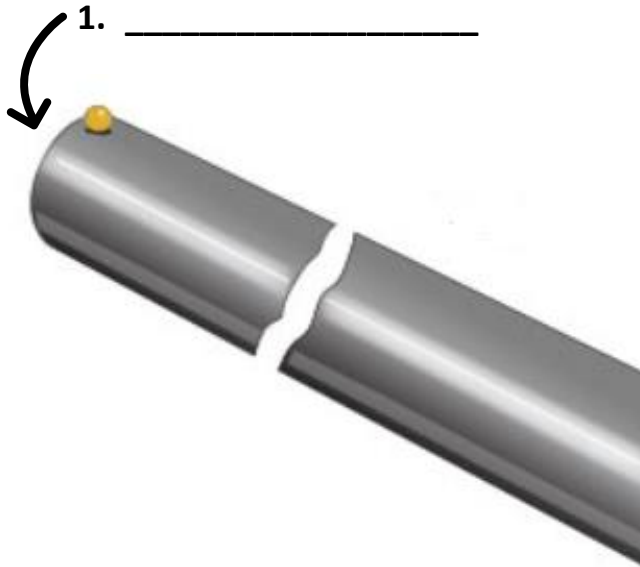


Using the study guide or your memory, label all five of these sights!



**Word Bank**

- Open
- Telescopic
- Aperture (Peep)
- Dot
- Bead